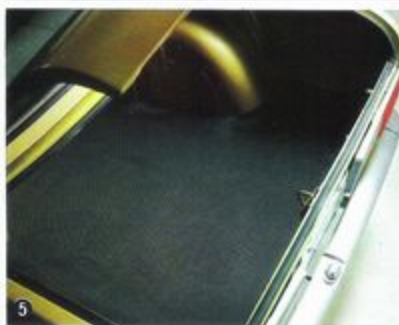
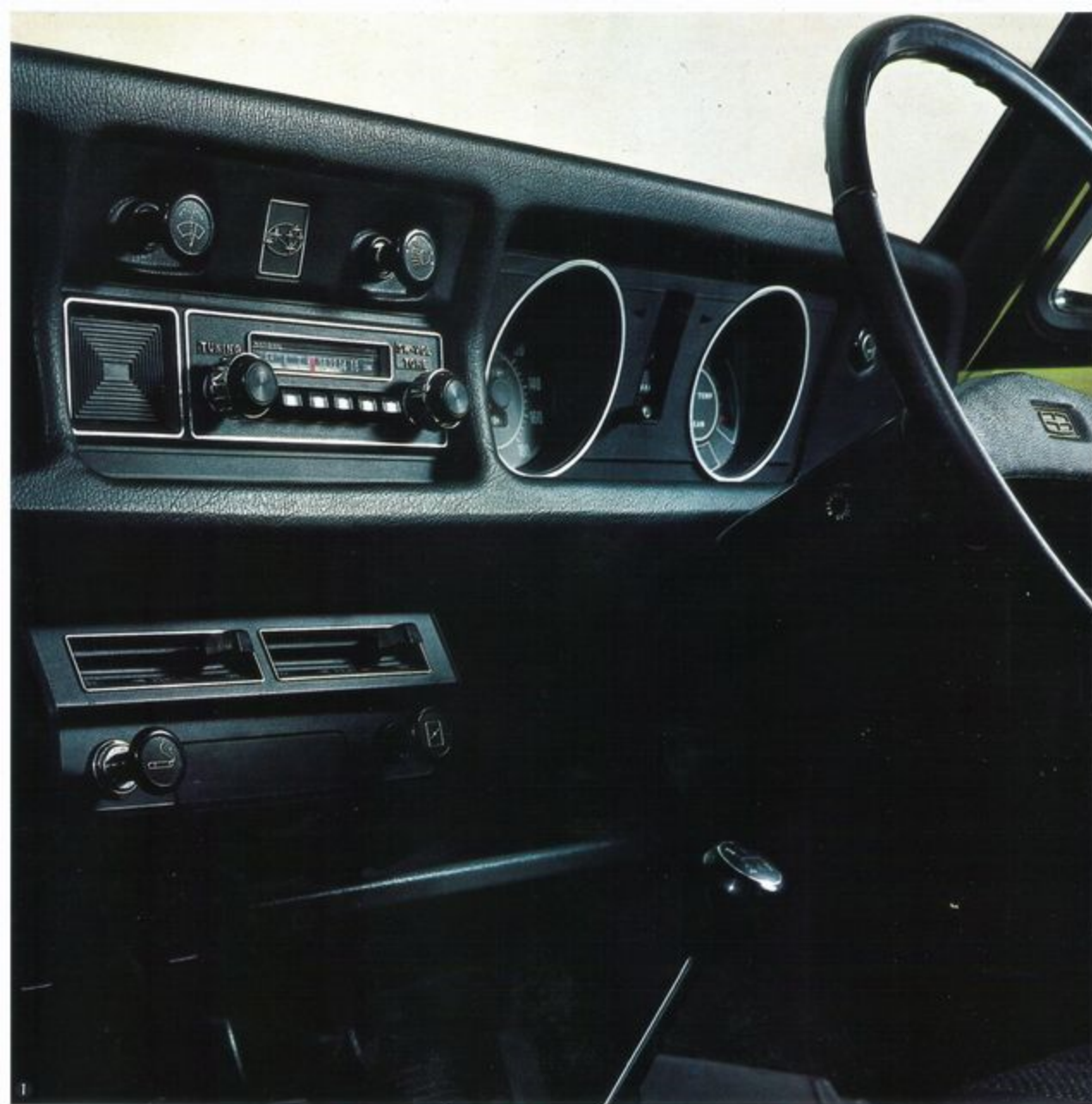


Exciting...
Elegant...
Economical...



**SUBARUff-1
1300**





Safety belts and headrests are optional

SUBARU FF-1
1300 **G**



SUBARU FF-1
1300 **G**
WAGON



Luxurious Comfort ——— The car with the 'FF' System Front Engine,



The luxurious interior of the Subaru FF-1 is spacious and ideal to the best of riding comfort. Picture (1) reveals the easy accessible instrument panel, air ventilator levers, radio and the stick-shift as well as the uniquely designed steer wheel in picture (2) providing quick visibility of the instruments, anytime. Picture (3) exposes the soft cushioned comfortable front seats reclinable in 4 positions with forward and backward adjustments to the operator's comfort. The rear

seats are, also, of a softly cushioned material. Picture (4) discloses the rear interior and the cushioned seats. The spare tire and jack are under the front hood and the gasoline tank is underneath the seat enabling the trunk space to be the largest in its class — space to hold 48 soccer balls, picture (5). Picture (6) is the sedan and Picture (7) is the versatile station wagon exposing all of these exceptional designs and spacious comfort features. Subaru 'FF-1's versatility, eco-

Everywhere! Front-wheel-drive!

nomical efficiency and road hugging ability prove to be the nice thing for the nicest people to buy. And the nicest people are buying the Subaru 'FF-1' — the car with the 'Forward Features' — now! So, don't delay. Ride in one and convince yourself of its effectiveness, easy to use and a fast, safe and swift action. Buy one soon. You'll be glad you did it! Remember, SUBARU is the car with the 'FF' System.



Pleasurable, Comfort and Enjoyable Performances, Anywhere!

The fantastic speedy and versatile Subaru 'FF-1' 1300 G, is a most uniquely fast and safe car in the highways, today. All of its revolutionary features are for your safe and comfortable riding enjoyment. The 4 position reclinable cushioned seats, easy steering during low and high speeds, spacious trunk room, plenty of leg room, dual radiator, independent suspension, front wheel drive, very economical fuel consumption, quiet anti-knock engine, large windows providing wide, wide visibility, bright easily seeable tail lights, far shining headlamps and many

other features, especially for you. The newly designed engine's combustion chambers provide a fantastic function eliminating the anti-knock regular gasoline annoyances through-out the entire speed range. Drop to drop of gasoline, you can not operate a better economical and more powerful car with magnificent aerodynamic outlines and spacious interior. The Subaru FF-1 1300 G, is the smoothest, most comfortable and safest moving car you can joyfully experience, anytime. It is the car with the 'FF' System.

Your Transport!



SUBARU ff-1
1300 **G**

Ride in this remarkable spacious and well engineered Subaru FF-1 1300 G, and you'll, immediately, realize its excellent swift action and mechanical superiority of its revolutionary features. You'll want to own it, too.

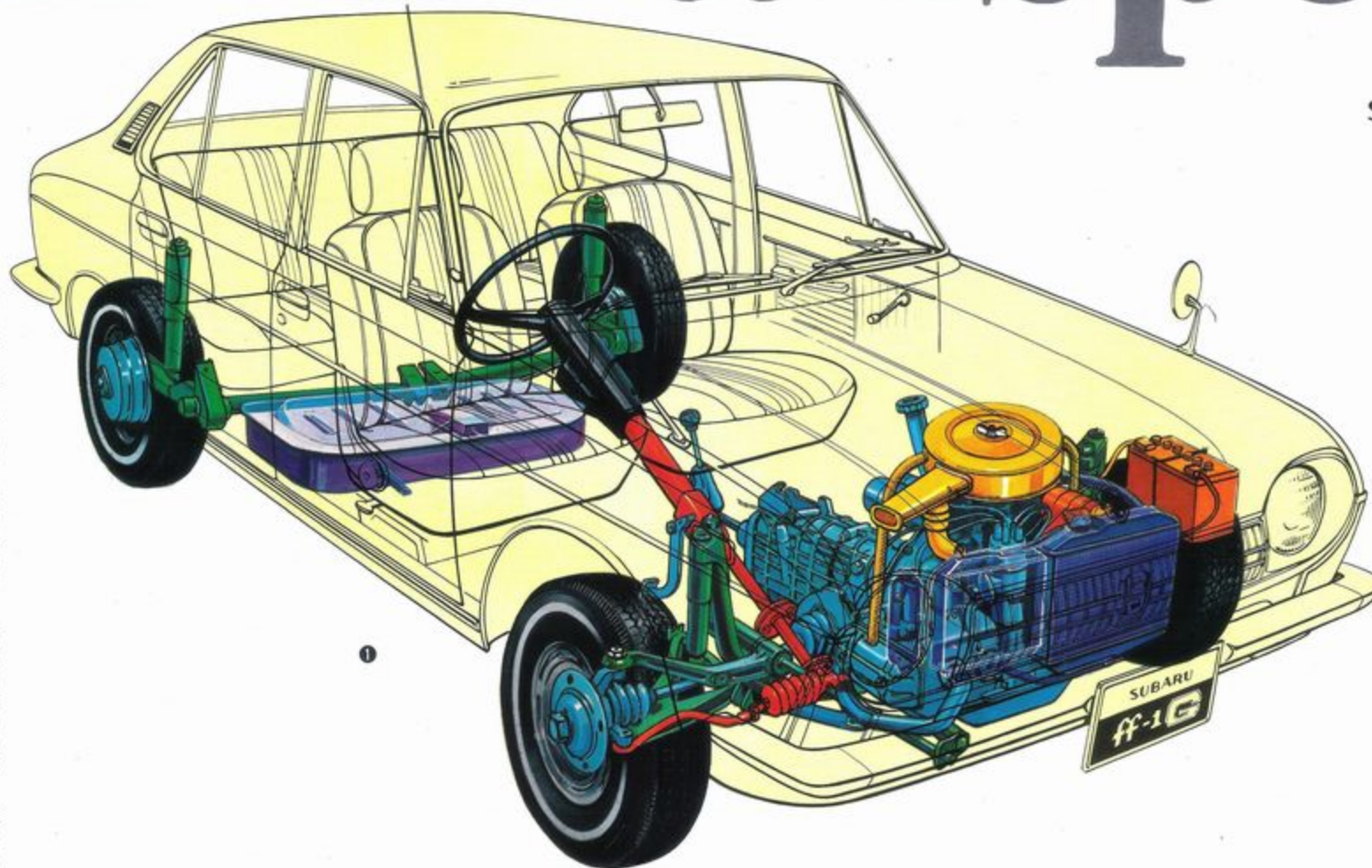
1) 'FF' SYSTEM: Front engine, Front-wheel-drive. The front section contains all of the power and the revolutionary mechanism. It has the famous and popular Front engine, Front-wheel-drive system. The 'FF' system also means: Forward Features.

It is the heart of the Subaru FF-1 1300 G, and it is all under one roof - the front hood. Here is where the dynamic efficient engine functions smoothly and noiselessly providing you efficiency, reliability and a more comfortable ride to anywhere.

2) ENGINE: The Subaru has a four cylinder water cooled, 4 stroke, horizontally opposed pistons, engine having a newly designed combustion chamber preventing anti-knock annoyances through-out the entire speed range. The differential, transmission and engine are compactly assembled in one place to produce the most efficiency - just the way it should be.

3) RADIATOR: Engine over-heating worries gone. There is no radiator fan to cause loss of engine power, anymore. There are dual radiators. During normal operation, the small radiator is used until the temperature becomes 82°C (179.6°F), activating a thermostat to cause the main radiator to function. After the engine heats to 92°C (197.6°F), a thermo switch activates a small air blower cooling the sub-radiator to always maintain a suitable engine temperature. Your over-heating engine worries are ended.

4) CENTER PIVOT STEERING SYSTEM: The revolutionary center pivot steer system provides the king pin axis to be exactly in a vertical axis to the center line of the tire enabling the revolutionary type brake drums to be mounted close to the differential. This design allows high and low speeds, easy steering, the steer wheel is free from road shocks, long wheel base with short turning area and better road holding of tires to a stabilized performance of the most comfortable ride to anywhere. The Subaru cars have the 'FF' System.



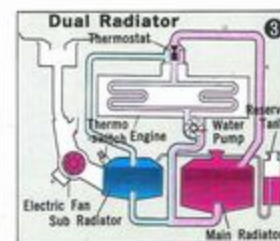
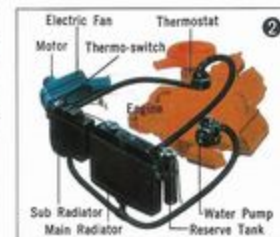
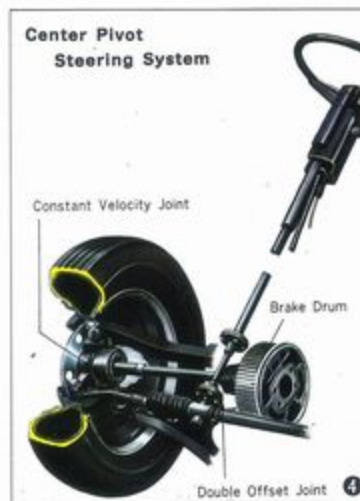
< Sedan >
Marble White

Sunbeam Yellow

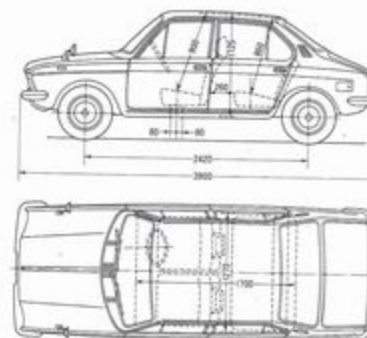
Forest Green

< Four Door Station Wagon >
Marble White

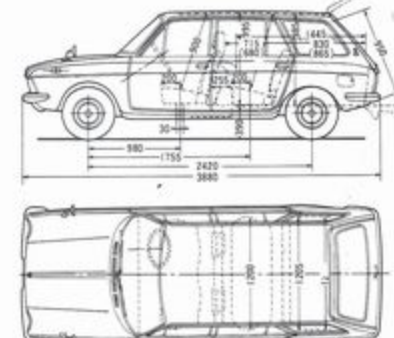
Mirage Grey



Subaru FF-1 1300G 4-door Dimensions



Subaru FF-1 1300G Station Wagon Dimensions



Your Transport!



SUBARU ff-1 1300 **G**

Ride in this remarkable spacious and well engineered Subaru FF-1 1300 G, and you'll, immediately, realize its excellent swift action and mechanical superiority of its revolutionary features. You'll want to own it, too.

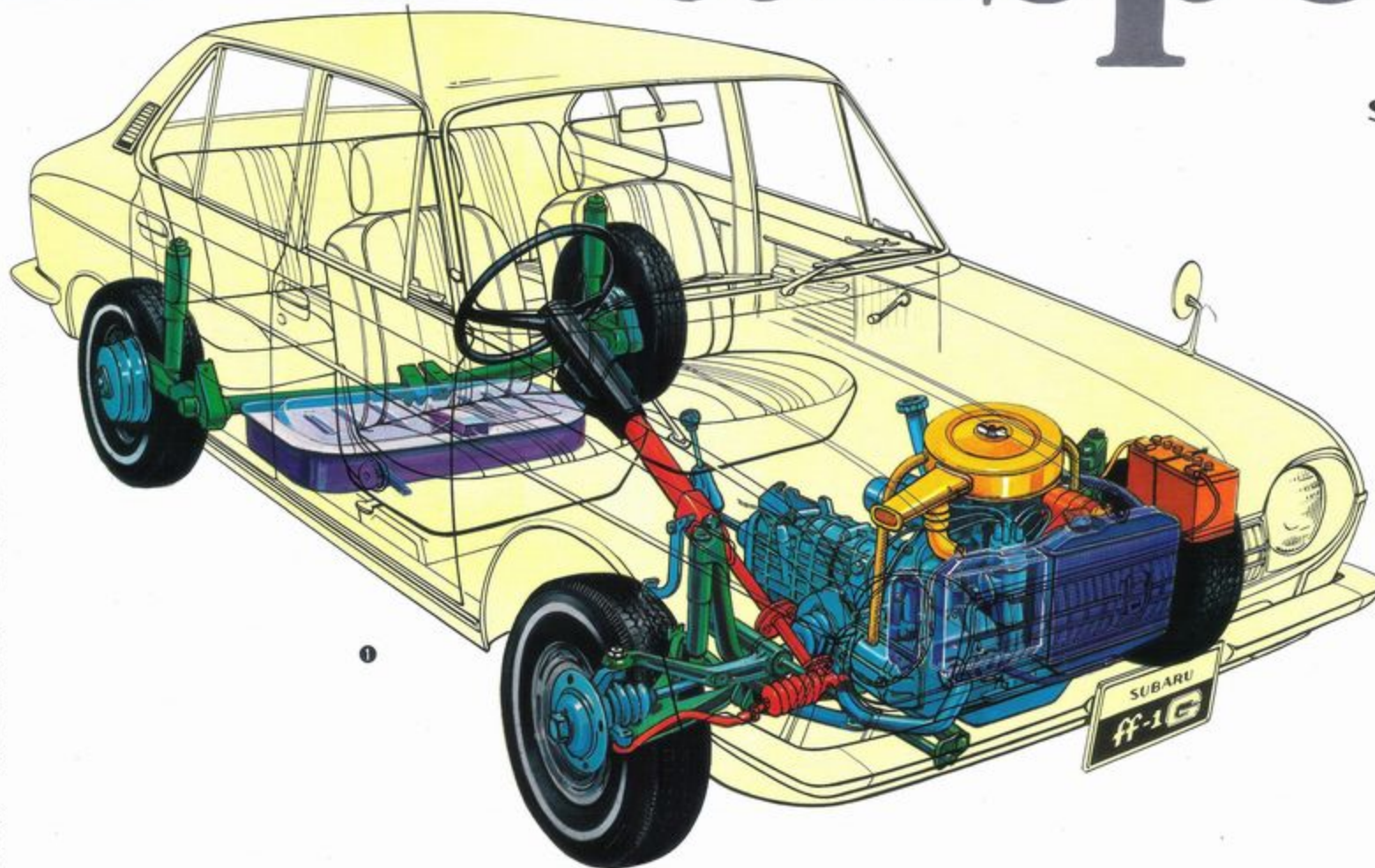
1) 'FF' SYSTEM: Front engine, Front-wheel-drive. The front section contains all of the power and the revolutionary mechanism. It has the famous and popular Front engine, Front-wheel-drive system. The 'FF' system also means: Forward Features.

It is the heart of the Subaru FF-1 1300 G, and it is all under one roof – the front hood. Here is where the dynamic efficient engine functions smoothly and noiselessly providing you efficiency, reliability and a more comfortable ride to anywhere.

2) ENGINE: The Subaru has a four cylinder water cooled, 4 stroke, horizontally opposed pistons, engine having a newly designed combustion chamber preventing anti-knock annoyances through-out the entire speed range. The differential, transmission and engine are compactly assembled in one place to produce the most efficiency – just the way it should be.

3) RADIATOR: Engine over-heating worries gone. There is no radiator fan to cause loss of engine power, anymore. There are dual radiators. During normal operation, the small radiator is used until the temperature becomes 82°C (179.6°F), activating a thermostat to cause the main radiator to function. After the engine heats to 92°C (197.6°F), a thermo switch activates a small air blower cooling the sub-radiator to always maintain a suitable engine temperature. Your over-heating engine worries are ended.

4) CENTER PIVOT STEERING SYSTEM: The revolutionary center pivot steer system provides the king pin axis to be exactly in a vertical axis to the center line of the tire enabling the revolutionary type brake drums to be mounted close to the differential. This design allows high and low speeds, easy steering, the steer wheel is free from road shocks, long wheel base with short turning area and better road holding of tires to a stabilized performance of the most comfortable ride to anywhere. The Subaru cars have the 'FF' System.



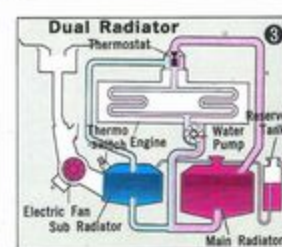
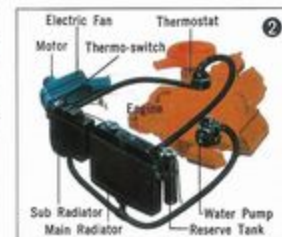
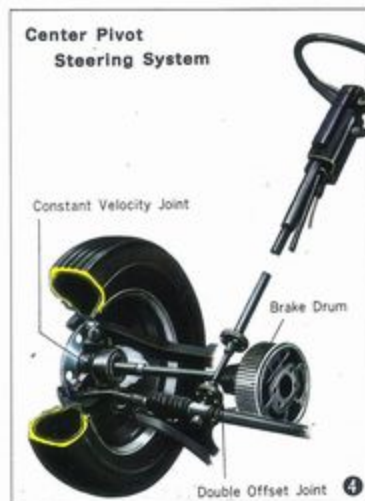
< Sedan >
Marble White

Sunbeam Yellow

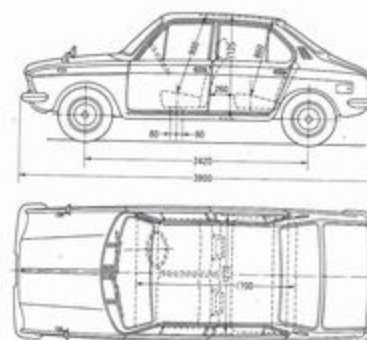
Forest Green

< Four Door Station Wagon >
Marble White

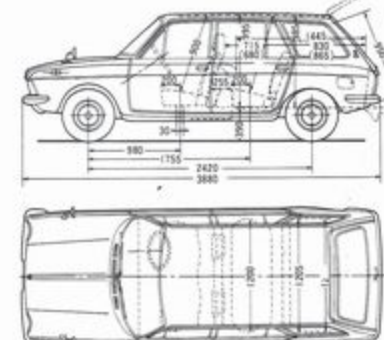
Mirage Grey



Subaru FF-1 1300G 4-door Dimensions



Subaru FF-1 1300G Station Wagon Dimensions



SUBARU ff-1300 SEDAN & STATION WAGON SPECIFICATIONS

MODELS ITEMS	FF-1 1300 G			FF-1 1100	
	4-Door Sedan	2-Door Sedan	Station Wagon	4-Door Sedan	2-Door Sedan
DIMENSIONS					
Overall Length	153.5 in (3,900 mm)		152.8 in (3,880 mm)	153.5 in (3,900mm)	
Overall Width	58.3 in (1,480 mm)		58.3 in (1,480 mm)	58.3 in (1,480 mm)	
Overall Height	54.7 in (1,390 mm)		55.7 in (1,415 mm)	54.7 in (1,390 mm)	
Wheelbase	95.3 in (2,420 mm)		95.3 in (2,420 mm)	95.3 in (2,420 mm)	
Tread: Front	48.2 in (1,225 mm)		48.2 in (1,225 mm)	48.2 in (1,225 mm)	
Rear	47.4 in (1,205 mm)		48.6 in (1,235 mm)	47.4 in (1,205 mm)	
WEIGHTS					
Vehicle Weight	1,575 lbs (715 kg)	1,555 lbs (705 kg)	1,685 lbs (765 kg)	1,565 lbs (710 kg)	1,545 lbs (700 kg)
Vehicle Weight (USA)	1,650 lbs	1,630 lbs	1,765 lbs	1,640 lbs	1,620 lbs
PERFORMANCE					
Maximum Speed	100 mph (160 km/h)		97 mph (155 km/h)	90 mph (145 km/h)	
Braking Distance	45 ft at 31 mph (13.5 m at 50 km/h)			45 ft at 31 mph (13.5 m at 50 km/h)	
Turning Circle	31.5 ft (9.6 m)			31.5 ft (9.6 m)	
ENGINE					
Type	4-Cylinder, 4-Stroke, O.H.V., Water-Cooled Engine			4-Cylinder, 4-Stroke, O.H.V., Water-Cooled Engine	
Bore x Stroke	3.23 x 2.36 in (82 x 60 mm)			2.99 x 2.36 in (76 x 60 mm)	
Piston Displacement	77.3 cu. in (1,267 cc)			66.4 cu. in (1,088 cc)	
Compression Ratio	9.0 : 1			9.0 : 1	
Maximum Output	80 PS/6,400 rpm			62 PS/6,000 rpm	
Maximum Torque	73.1 lb-ft/4,000 rpm (10.1 kg-m/4,000 rpm)			62.9 lb-ft/3,200 rpm (8.7 kg-m/3,200 rpm)	
CLUTCH					
Type	Dry Single Plate Diaphragm Type			Dry Single Plate Diaphragm Type	
TRANSMISSION					
No. of Speeds & Type	4-Speed Forward, All Synchroneshed, 1-Reverse, Selective Sliding			4-Speed Forward, All Synchroneshed, 1-Reverse, Selective Sliding	
Gear Ratio	1st: 3.307 2nd: 2.176 3rd: 1.480 4th: 1.033 Rev: 3.636		1st: 3.066 2nd: 2.312 3rd: 1.480 4th: 1.033 Rev: 3.636	1st: 3.545 2nd: 2.235 3rd: 1.542 4th: 1.033 Rev: 4.100	
FUEL TANK					
Capacity	11.9 US gal (9.9 Imp. gal, 45 l)		9.5 US gal (7.9 Imp. gal, 36 l)	11.9 US gal (9.9 Imp. gal, 45 l)	
ELECTRICAL EQUIPMENT					
Battery	12V-35AH			12V-32AH	
Generator	12V-30A			12V-30A	
STEERING SYSTEM					
Type	Rack and Pinion			Rack and Pinion	
SUSPENSION					
Front Suspension	Wishbone Type, Independent		Trailing Arm Type, Independent	Wishbone Type, Independent	
Rear Suspension	Semi-Trailing Arm Type, Independent			Semi-Trailing Arm Type, Independent	
TIRES					
Size	6.15-13-4PR		6.15-13-6PR	6.15-13-4PR	
Size (USA)	6.15-13-4PR		6.15-13-4PR	6.15-13-4PR	
BRAKE SYSTEM					
Front Brake	Duo-Servo Type			Duo-Servo Type	
Rear Brake	Leading & Trailing Type			Leading & Trailing Type	
BODY					
Type	Monocoque Type			Monocoque Type	

Fuji Heavy Industries Ltd. reserve the right to change specifications and equipment at anytime without notice.

 **FUJI HEAVY INDUSTRIES LTD.**